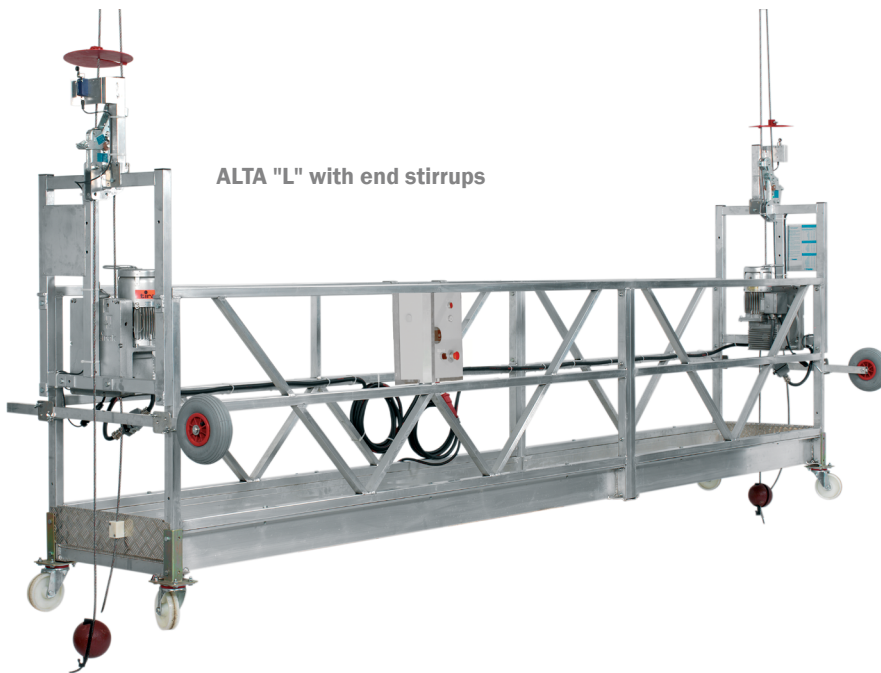
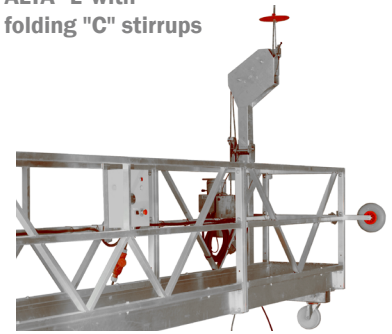


## APPLICATIONS

The ALTA "L" platform is intended for temporary applications for lifting people and their working equipment - at unlimited heights<sup>1</sup>. It is designed particularly for lightweight applications, such as painting and decorating, refurbishing, jointing and repairs, etc. The complete system consists of the working platform equipped with two electric TIRAK™ hoists and the facade protection wheels, suspended by means of steel wire ropes from a suspension structure.



ALTA "L" with folding "C" stirrups



ALTA "L" with "frame" stirrups



## SAFETY

To ensure safe operation without danger to personnel, the platform is fitted with the following safety devices:

- service brake incorporated in the TIRAK™ hoist
- one BLOCSTOP™ fall arrest device acting on each safety wire rope
- overload sensor incorporated in the TIRAK™ hoists according to EN 1808
- two upper limit switches
- no power descent in case of power failure
- anti-tilt device
- emergency stop
- phase controller (on three-phase models)



The ALTA "L" equipment complies with the Directives of the European Union and is manufactured under ISO 9001.

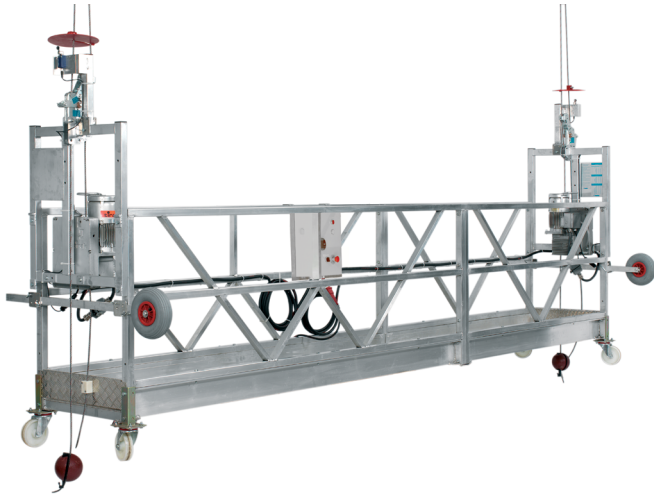
- 1) According to EN 1808 suspended platforms at heights exceeding 40 meters must be equipped with a restraint system.

## TECHNICAL DATA

Rated loads	see load tables (pages 6 - 7)
Max. load / meter	120 kg/m
Maximal height	limited by the length of the wire rope <sup>1</sup>
Speed lifting / lowering	8.5 m/min
Hoist type	2x TIRAK™ type depending on configuration
Lifting / safety wire rope diameter	8 mm
Drive	mono-phase 230 V or three-phase 230/400 V
Fall arrest device	2x BLOCSTOP™
Noise level	< 73 dB
Dimensions	depending on configuration, see pages 3 to 7
length	2 to 15 m (composition of modules of 2 and 3 m)
inside width	60 cm
Materials platform stirrups	aluminium steel hot galvanised

## VARIANTS

The different ALTA "L" variants are to be distinguished by their suspension principles. Three different stirrups allow to choose the platform responding the best to your requirements (type of work, type of building, maximal loads, number of persons, ...).



### MAXIMAL LENGTH 12 M

End stirrups: fitted at the ends of the platform.

#### Advantages:

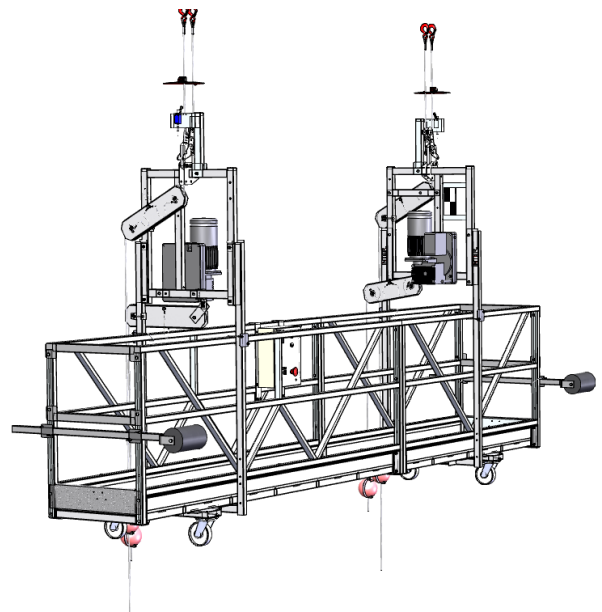
The most economical and lightweight version, although showing extraordinary performances.

### MAXIMAL LENGTH 15 M

«Frame» stirrups: slipped over the platform like a «frame».

#### Advantages:

The building corners are clear and can be easily accessed.  
Exchangable with the upper part of the end stirrup.  
The distance between suspension wire ropes is adjustable.

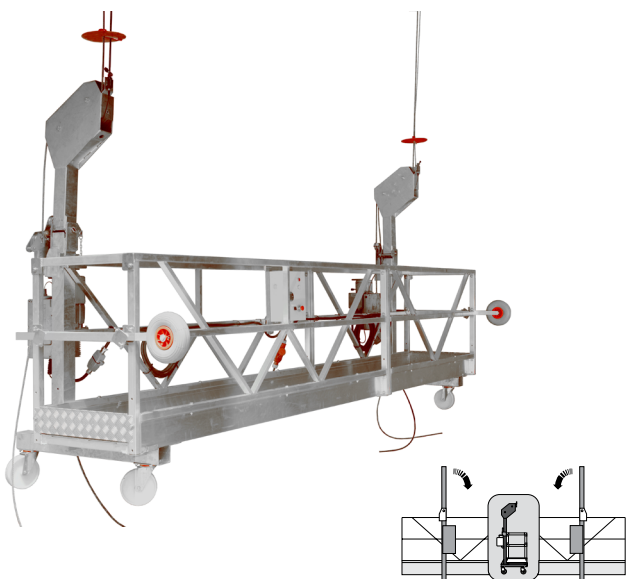


### MAXIMAL LENGTH 15 M

Folding «C» stirrups: placed at the rear of the platform behind the workers.

#### Advantages:

The working surface is completely clear and the whole façade can be easily accessed.  
The building corners are clear and can be easily accessed.  
The distance between suspension wire ropes is adjustable.



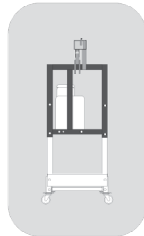
#### Advantages:

Enhanced slope detection.  
Reduced height for easy storage and transportation.

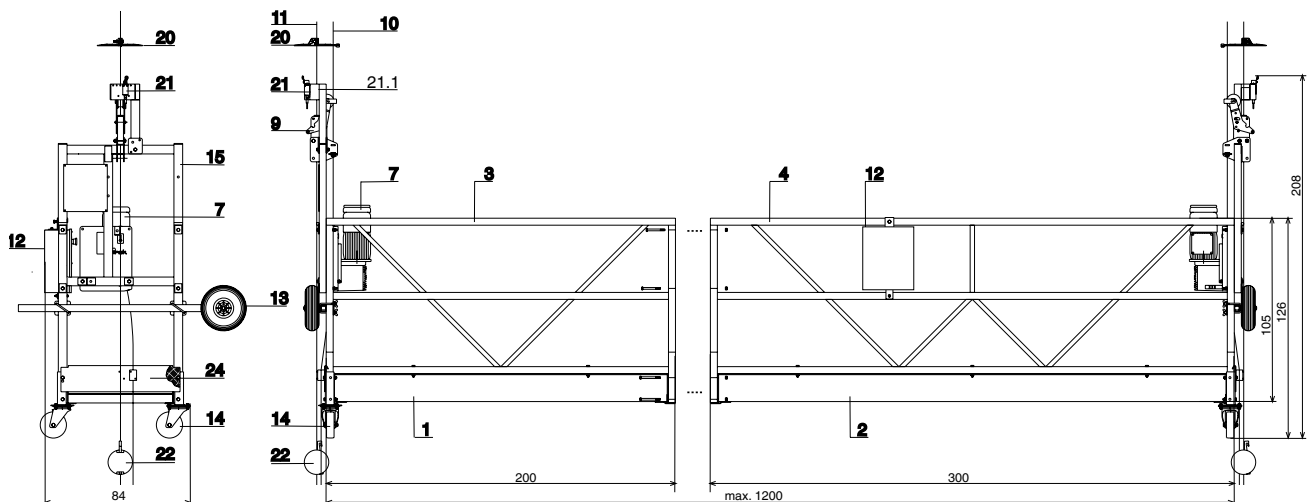
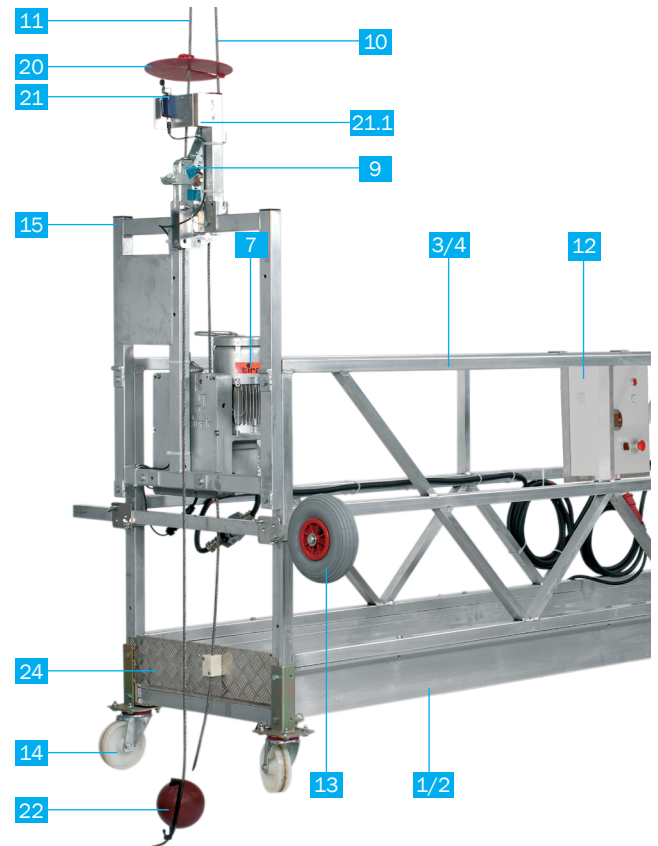
**ALTA "L" WITH END STIRRUPS**

**MAIN COMPONENTS**

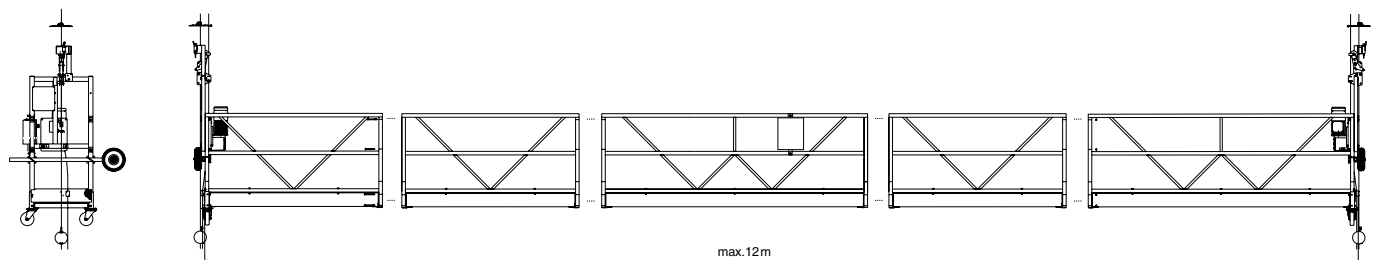
- 1/2 Floor panel length 2 m or 3 m
- 3/4 Guard-rail length 2 m or 3 m
- 7 TIRAK™ hoist
- 9 BLOCSTOP™ fall arrest device
- 10 Lifting wire rope
- 11 Safety wire rope
- 12 Control box
- 13 Facade protection wheel/roller
- 14 Castor wheel
- 15 End stirrup
- 20 Buffer plate
- 21 Upper limit switch
- 21.1 Upper limit switch bracket
- 22 Ballast weight for safety wire rope
- 24 Toe board



**TYPICAL**



Measures in "cm"



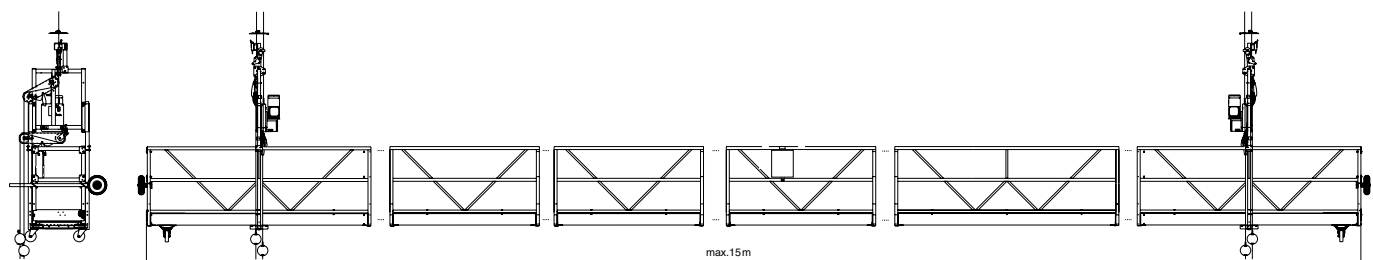
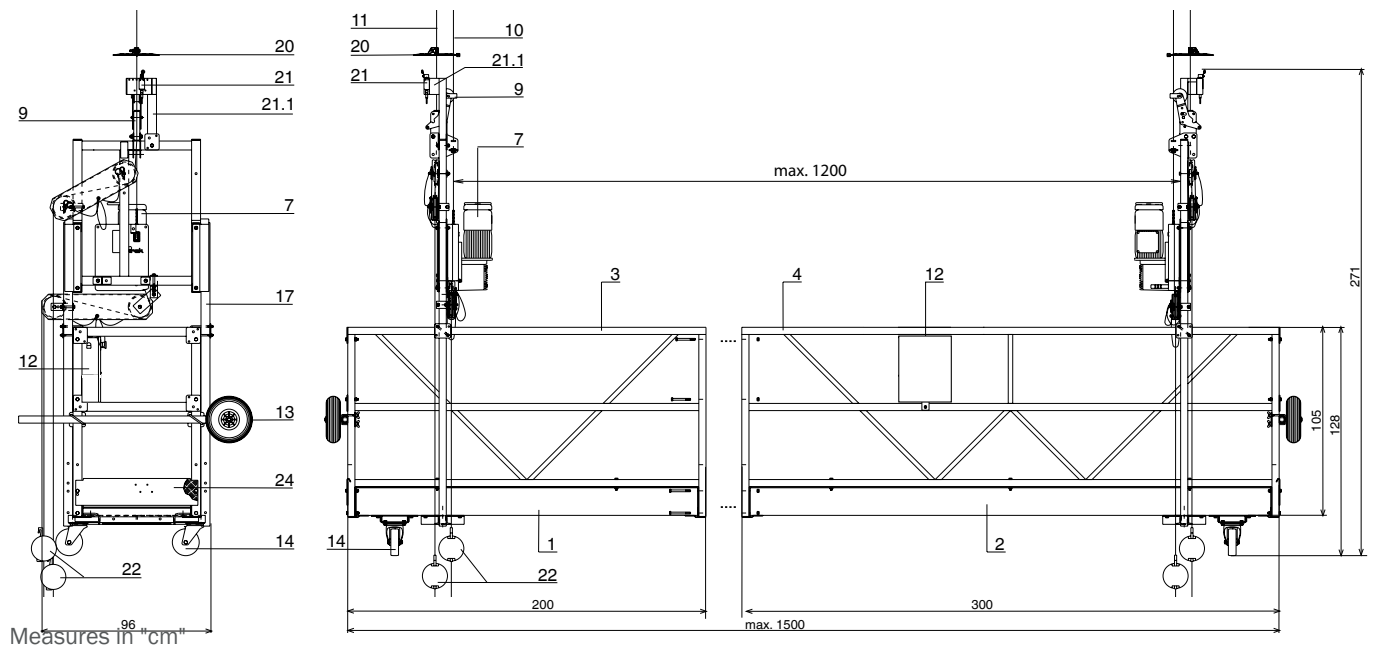
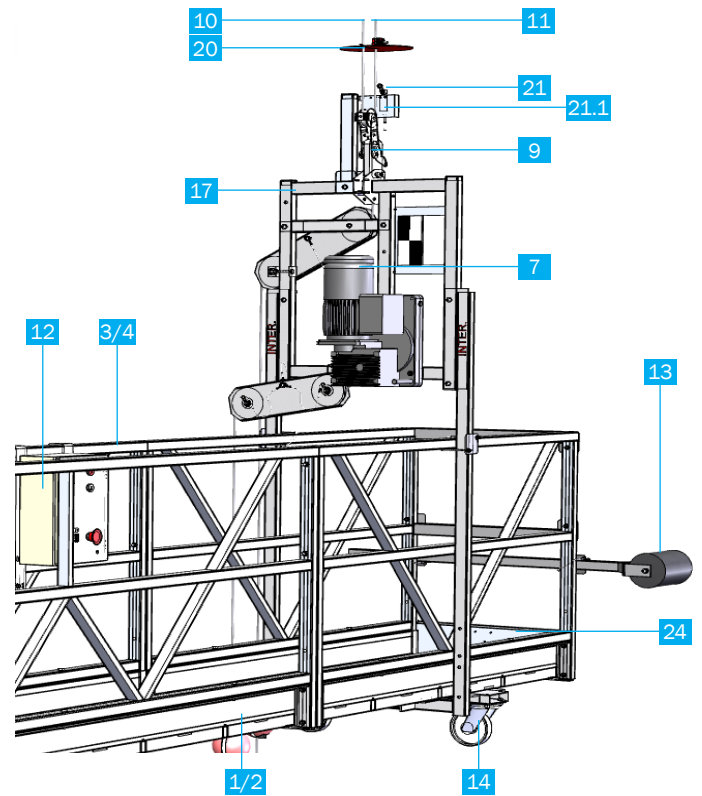
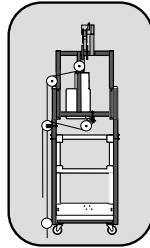
Example for composition of platform modules

Spare Parts  
See spare parts list S-483.

**ALTA "L" WITH "FRAME" STIRRUPS**

**MAIN COMPONENTS**

- 1/2 Floor panel length 2 m or 3 m
- 3/4 Guard-rail length 2 m or 3 m
- 7 TIRAK™ hoist
- 9 BLOCSTOP™ fall arrest device
- 10 Lifting wire rope
- 11 Safety wire rope
- 12 Control box
- 13 Facade protection wheel/roller
- 14 Castor wheel
- 17 "Frame" stirrup
- 20 Buffer plate
- 21 Upper limit switch
- 21.1 Upper limit switch bracket
- 22 Ballast weight for safety wire rope
- 24 Toe board



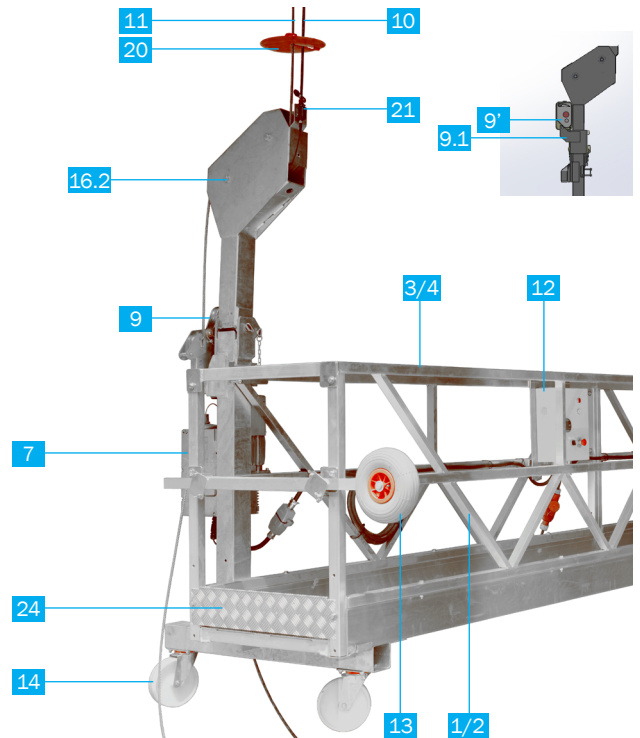
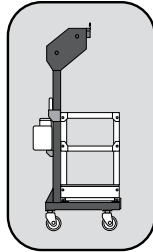
Example for composition of platform modules

Spare Parts  
See spare parts list S-483.

**ALTA "L" WITH FOLDING "C" STIRRUPS**

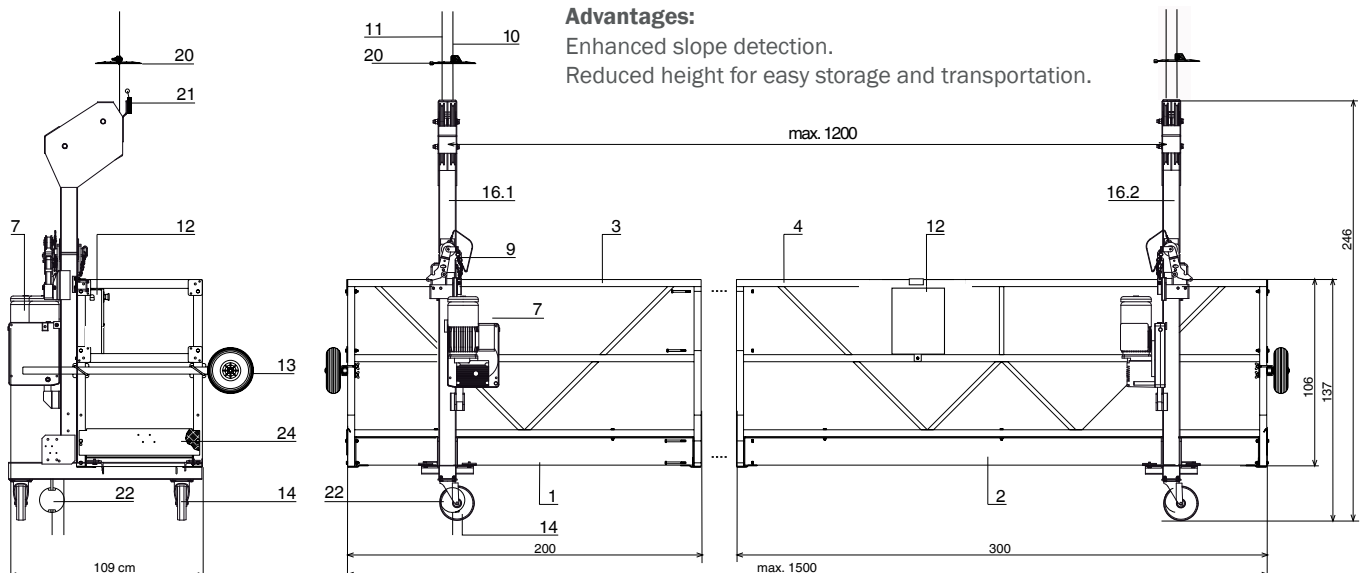
**MAIN COMPONENTS**

- 1/2 Floor panel length 2 m or 3 m
- 3/4 Guard-rail length 2 m or 3 m
- 7 TIRAK™ hoist
- 9 BLOCSTOP™ BSA fall arrest device
- 9' BLOCSTOP™ BSO fall arrest device with fastening kit (for ALTA "L" MONO only)
- 9.1 Fastening kit for BLOCSTOP™ BSO
- 10 Lifting wire rope
- 11 Safety wire rope
- 12 Control box
- 13 Facade protection wheel/roller
- 14 Castor wheel
- 16.1 Left folding "C" stirrup
- 16.2 Right folding "C" stirrup
- 20 Buffer plate
- 21 Upper limit switch
- 22 Ballast weight for safety wire rope
- 24 Toe board

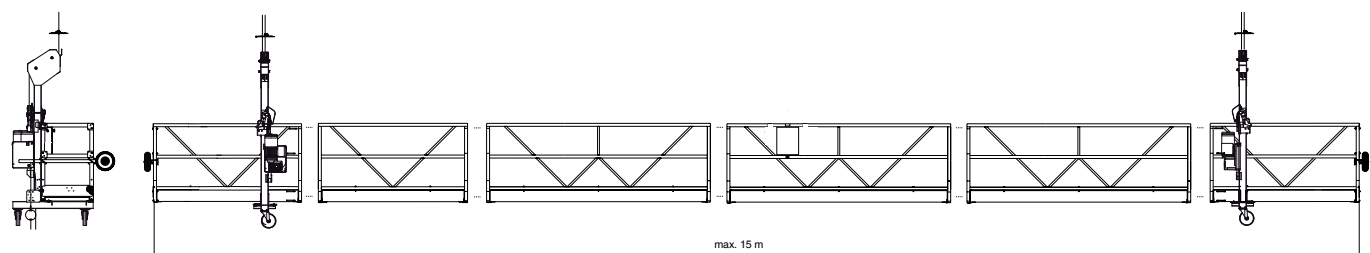


**Advantages:**

- Enhanced slope detection.
- Reduced height for easy storage and transportation.



Measures in "cm"



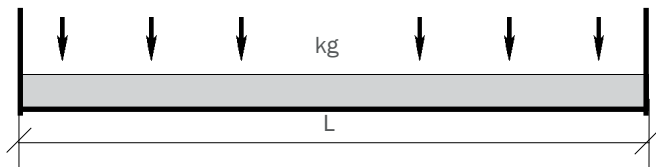
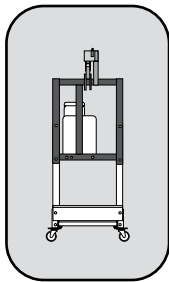
Example for composition of platform modules

Spare Parts  
See spare parts list S-483.

**RATED LOADS**

In accordance with the European standard the rated loads are calculated in the following way: the first and the second persons are calculated 80 kg + 40 kg of equipment, and the following persons are counted as 80 kg each.

The maximal loads of ALTA "L" platforms are 240 to 680 kg. The load must be spread as evenly as possible over the length of the platform. Refer to the load tables on the following pages.



RATED Loads (Person = 80 kg)

**ALTA "L" WITH 2 END STIRRUPS**

**2 TIRAK™ X-300 P hoists (WLL 2 x 300 kg)**

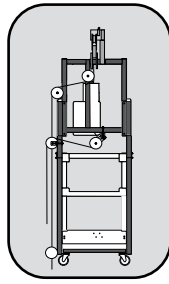
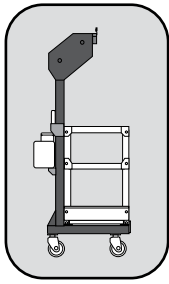
L (m)	Rated load (kg)	Number of persons	+ Load (kg)	Dead weight (kg)
2	240	2	+ 80	180
3	360	3	+ 120	195
4	350	4	+ 110	225
5	320	4	+ 80	240
6	280	3	+ 120	255
7	250	3	+ 90	290
8	240	2	+ 80	305

**2 TIRAK™ X-400 P hoists (WLL 2 x 400 kg)**

L (m)	Rated load (kg)	Number of persons	+ Load (kg)	Dead weight (kg)
2	240	2	+ 80	190
3	360	3	+ 120	205
4	480	4	+ 160	230
5	560	5	+ 160	250
6	540	5	+ 140	265
7	480	5	+ 80	295
8	400	4	+ 80	310
9	320	3	+ 80	330

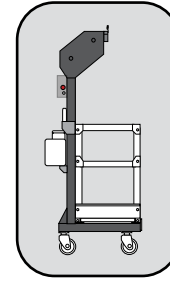
**2 TIRAK™ X-500 P hoists (WLL 2 x 500 kg)**

L (m)	Rated load (kg)	Number of persons	+ Load (kg)	Dead weight (kg)
2	240	2	+ 80	205
3	360	3	+ 120	220
4	480	4	+ 160	250
5	600	5	+ 200	265
6	680	6	+ 200	280
7	650	6	+ 170	315
8	630	6	+ 150	330
9	600	5	+ 120	345
10	540	5	+ 140	375
11	500	5	+ 100	390
12	480	4	+ 80	405



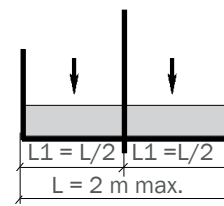
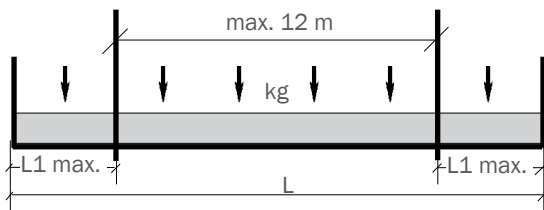
**ALTA "L"**

2 folding "C" stirrups or "frame" stirrups  
2 TIRAK™ X-500 P hoists (WLL 2 x 500 kg)



**ALTA "L" MONO**

1 folding "C" stirrup with fastening kit for BLOCSTOP™ BSO  
1 TIRAK™ X-500 P hoist (WLL 1 x 500 kg)



RATED Loads (👤 = 80 kg)

L (m)	Max. load (kg)	Number of persons	+ Load (kg)	Dead weight (kg)	Overhang	
					L1 (m)	Max. load (kg)
1*	240	👤👤	+ 80	185	0.5	👤 + 40
1.5*	240	👤👤	+ 80	195	0.75	👤 + 40
2*	240	👤👤	+ 80	205	1.0	👤 + 40
3	360	👤👤👤	+ 120	330	0.5	👤 + 40
4	480	👤👤👤👤	+ 160	355	0.5	👤 + 40
5	560	👤👤👤👤👤	+ 160	370	1.0	👤 + 40
6	420	👤👤👤👤	+ 100	390	1.5	👤 + 40
7	420	👤👤👤👤	+ 100	415	1.5	👤 + 40
8	400	👤👤👤👤	+ 80	430	1.5	👤 + 40
9	400	👤👤👤👤	+ 80	445	1.5	👤 + 40
10	350	👤👤👤👤	+ 110	475	1.5	👤 + 40
11	340	👤👤👤👤	+ 100	490	1.5	👤 + 40
12	330	👤👤👤👤	+ 90	505	1.5	👤 + 40
13	320	👤👤👤👤	+ 80	535	1.5	👤 + 40
14	320	👤👤👤👤	+ 80	550	1.5	👤 + 40
15	320	👤👤👤	+ 80	565	1.5	👤 + 40

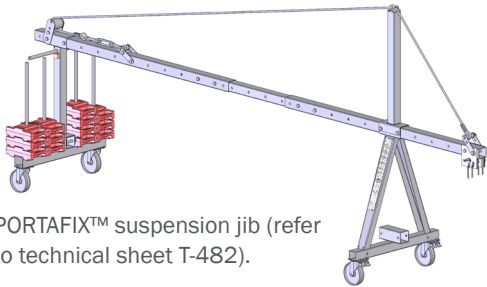
\*) ALTA "L" MONO



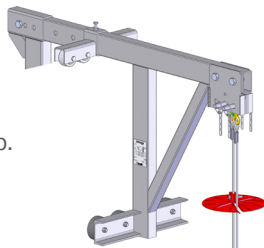
## SUSPENSION

The ALTA platform can be suspended from all types of suspension which are manufactured according to the current standards and recommendations. The EN 1808 stipulates a safety factor of 3 for anchor points and suspension structures.

TRACTEL® offers a complete range of suspension structures which can be fitted on different types of roofs:



PORTAFIX™ suspension jib (refer to technical sheet T-482).



OMEGA parapet clamp.

## DOUBLE-DECK PLATFORM

The ALTA platform can be easily transformed in a double-deck platform using especially designed attachment rods.



## OPTIONS

Because of its modular design, the ALTA "L" platform can also be used in other configurations, tailored to each solution, for example:

- Three level platform
- Suspended platform with three or more suspension points
- Equipment for permanent installation on a building
- Platform working on a non-vertical plane
- Circular platform
- Platform fitted with manual hoists (TIRFOR® or SCAFOR™), etc.

**Please contact us for these non-standard configurations.**

## CONTACT

Tractel Secalt S.A.  
12, Rue de l'Industrie • L-3895 Foetz  
P.O. Box 75 • L-4001 Esch-sur-Alzette  
Phone: (352) 43 42 42-1  
Fax (352) 43 42 42-200  
e-mail: secalt@tractel.com  
www.tractel.com

Tractel Secalt S.A. reserves the right to change the specifications of the products and technical information mentioned on the present technical data sheet, at any time and without notice. Non contractual document. © Tractel Secalt S.A., 2019. All rights reserved.